

COMPRESSED AIR FILTER

PF20G (G^{1/4}, G^{3/8}, G^{1/2})

FEATURES

PNEUMSYS Series Intermediate range general purpose
Filter removes upto 99% of the liquid water.

Design of the filter element gives both surface and
depth filtration for cleaner air.

Choice of elements, bowls drains to suit all applications.



PARAMETERS	SPECIFICATIONS	
Pipe Threads	G 1/4, 3/8, 1/2 Parallel (F)	- Standard
	BSPT. / NPT	- Optional
Filter Element Size	5, 25, 40 micron	
Element Material	Plastic (Polypropylene)	- Standard
	Sintered Bronze	- Optional
Body Material	Al. Alloy die cast	
Bowl Material	Transparent Polycarbonate with bowl guard	- Standard
	Al. Alloy Metal with sight glass	- Optional
Maximum inlet Pressure	with PC Bowl(Manual/ Auto/Semi-auto) : 150 psig (10.5 bar) with Metal Bowl (Manual drain) : 250 psig (17.5 bar) with Metal Bowl (Auto / Semi-auto) : 150 psig (10.5 bar)	
Maximum Operating Temperature (ambient)	with PC Bowl	: 50° C (125° F)
	with Metal Bowl	: 80° C (175° F)
Standard Nominal Flow Rate At 6 bar (87 PSI) supply pressure and 1 bar (14.5 PSI) Pressure drop	G 1/4	: 84 scfm (40 dm ³ /sec) CV(1.58)
	G 3/8	: 170 scfm (81 dm ³ /sec) CV(3.21)
	G 1/2	: 283 scfm (135 dm ³ /sec) CV(5.33)
Drain	Manual	- Standard
	Automatic	- Optional
	Semi Automatic	- Optional

+ Values indicated are with 40 micron elements, with finer elements these values will be lower.

COMPRESSED AIR FILTER

PF20G (G^{1/4}, G^{3/8}, G^{1/2})

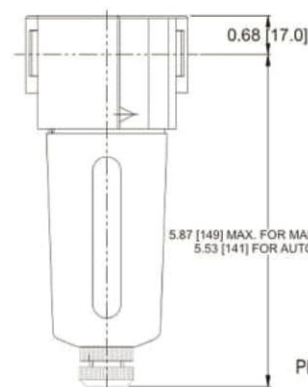
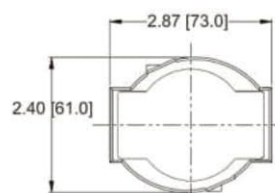
Size	Flow (dm ³ /s)	Element (um)	Drain	Bowl	Model
G 1/4	84 scfm (40 dm ³ /sec)	25	Auto	Transparent	SF20G-2G-A2PN
			Manual	Transparent	SF20G-2G-M2PN
G 3/8	170 scfm (81 dm ³ /sec)	25	Auto	Transparent	SF20G-3G-A2PN
			Manual	Transparent	SF20G-3G-M2PN
G 1/2	283 scfm (135 dm ³ /sec)	25	Auto	Transparent	SF20G-4G-A2PN
			Manual	Transparent	SF20G-4G-M2PN

Option Selector

Sample Model Number → **P F 2 0 G - 2 A - M 2 P N** □ □

Position → **0 1 2 3 4 - 5 6 - 7 8 9 10 11 12**

- 0** Position: **P** = Pneumsys
- 1** Product: **F** = Filter
- 2 3** Series: **20** = 3/8 Basic
- 4** Type: **G** = General Purpose
- 5** Size:
 - 2** = 1/4"
 - 3** = 3/8"
 - 4** = 1/2"
- 6** Port Thread:
 - A** = NPT
 - B** = ISO Rc Taper (=BSPT)
 - G** = ISO 'Parallel' (=BSP)
- 7** Drain:
 - M** = Manual
 - A** = Automatic (only available with Nitrile elastomers)
 - S** = Semi Automatic (only available with Nitrile elastomers)
- 8** Filter Element:
 - 1** = 05 M Porous Plastic
 - 2** = 25 M Porous Plastic
 - 3** = 40 M Porous Plastic
 - 6** = 05 M Sintered Bronze
 - 7** = 25 M Sintered Bronze
 - 8** = 40 M Sintered Bronze
 - X** = No Filter element (for water separator)
- 9** Bowl:
 - P** = P. C. Bowl with Guard
 - D** = Metal Bowl with Sight Glass
 - [M]** = Metal Bowl without sight glass
- 10** Mounting & Accessories:
 - N** = No Mounting Bracket,
 - B** = Wall Mounting Bracket,
- 11** Spl.option:
 - Blank** = Standard Unit
 - [L]** = with 1" longer filter element (for SF20G only)
- 12** Elastomer:
 - Blank** = Std. unit with Nitrile elastomer
 - [E]** = EPDM
 - [V]** = Viton
 - [L]** = Low Temperature Nitrile
- 13** Test / Approval:
 - Blank** = Standard units
 - C** = CE
 - E** = EAC
 - S** = SIL3
 - G** = CE, EAC
 - H** = CE, SIL3
 - J** = EAC, SIL3
 - K** = CE, EAC, SIL3
 - O** = Other customer reqmt. if any.



PF20G (G^{1/4}, G^{3/8}, G^{1/2})